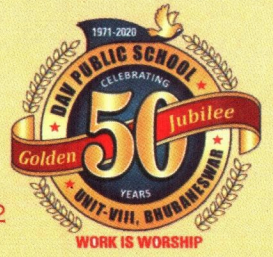




DAV PUBLIC SCHOOL

UNIT - VIII, BHUBANESWAR, ODISHA

AFFILIATED TO CBSE, NEW DELHI, AFFILIATION No. 1530006, SCHOOL No. 15342



Ref. No. DAV(UNIT-VIII)/ 097 /2024

Date : 16.1.24

NOTICE INVITING QUOTATIONS

QUOTATION FOR THE: - **Construction of a Shed**

(Fabrication and Erection with complete finishing)

Sealed quotations are invited by the undersigned from reputed firms/contractor/agencies for construction of a shed for Dining Hall in campus of the school. The interested agencies/contractor may submit their quotations for the purpose by obtaining the prescribed Quotation Form from the office of the undersigned on all working days between **10.30 am to 1.30 pm from 16/01/2024 to 24/01/2024**. The Quotation of the firms/contractor & agencies should be sent in sealed envelopes superscribed as "**QUOTATION FOR CONSTRUCTION OF A SHED**" on **or before 24/01/2024 by 3.30pm**.

The quotations will be opened in the office of the Principal, DAV Public School, Unit-VIII, Bhubaneswar **at 4.30pm on 24/01/2024**.

The rate should be inclusive of all the taxes (GST) .

There should not be any overwriting or corrections in the quotations

The undersigned does not bind herself to accept the lowest quotation

and reserves the right to accept the quotation in whole or in part thereof.

The quotations received after the stipulated date & time or incomplete in any respect shall not be considered. The quotations without GST No shall not be considered also.

The undersigned reserves the right to cancel any or all the quotation(s) without assigning any reason thereof.


16/01/24

PRINCIPAL

Copy to:-

- 1 The Notice Board & Website of the school for information of all concerned.
- 2 The Principal, DAV Public Schools, Bhubaneswar and Cuttack with a request to kindly take steps to display the quotation call notice on the School Notice Board and Websites for information of the public/person concerned
- 3 The concerned file for record.

DAV PUBLIC SCHOOL, UNIT-VIII, NAYAPALLI, BHUBANESWAR-12

QUOTATION FORM FOR CONSTRUCTION OF SHED.

Ph- (0674)2391328 Date- _____

Name of Agency/Firm _____

Aadhar Card No _____

PAN Card No. _____

Contractor License No _____

GST No _____

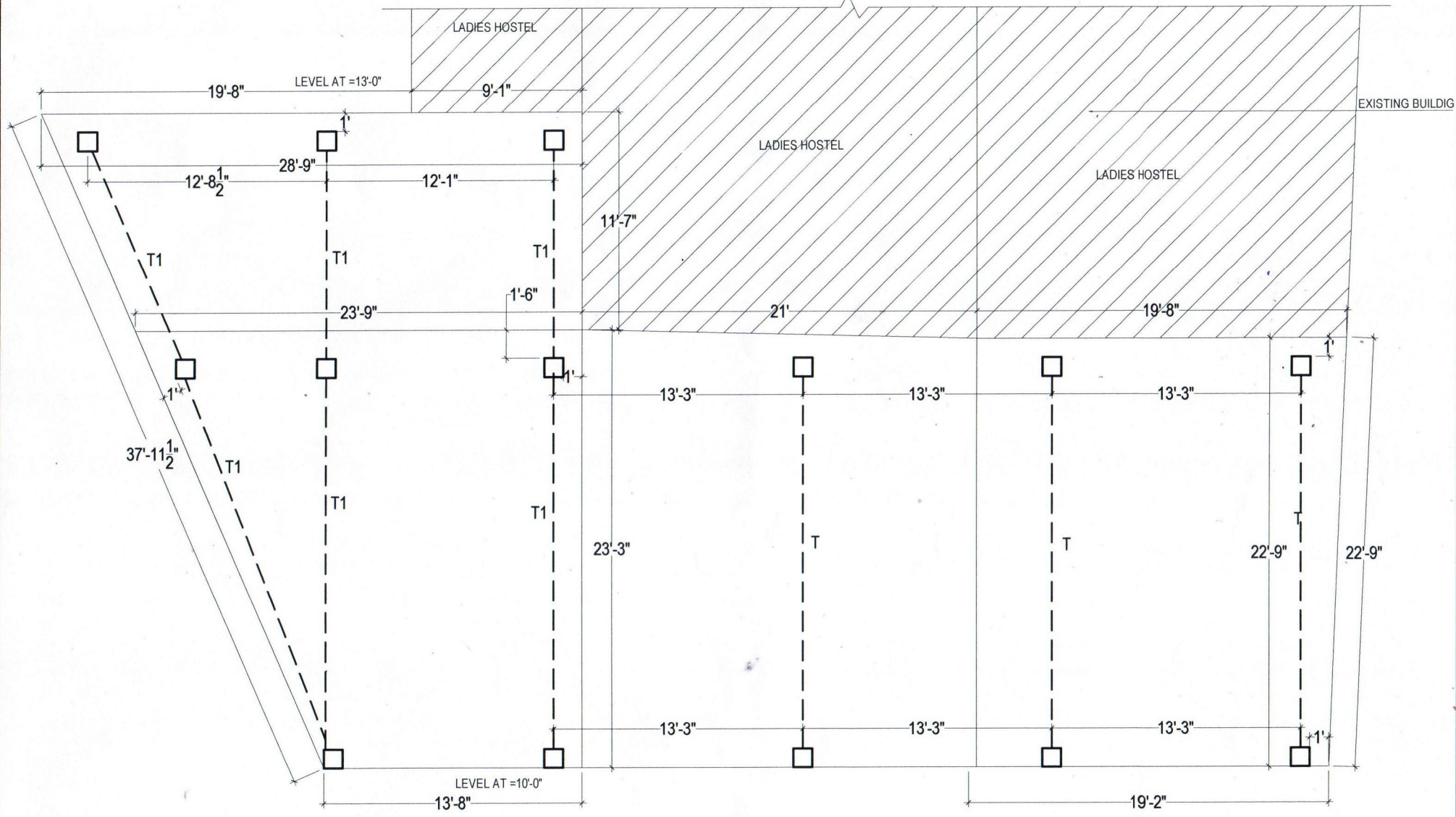
Sl.	Description of Work	Area Approx	Rate per sqft.
1.	Fabrication and Erection of a shed of with 0.47mm TATA Colour sheet/0.5mm SW-JINDAL sheet with M.S Structure made by TATA 60 X 60 X 3mm MS Pipe for Purlins 50 X 50 X 2.5mm MS Pipe for Trusses and 100 X 100 X 4 mm for posts/pole including colouring with proper finishing.(Height as per the drawing) Minimum 10'0 clear from the ground	1650 sqft	

Work completion Period within 15days of issue of work order .

Signature with seal of Quotationer

Address :

Contact No. :



PROJECT :-

DAV PUBLIC SCHOOL

DWG TITLE:-

LAYOUT PLAN
OF
PEDESTAL

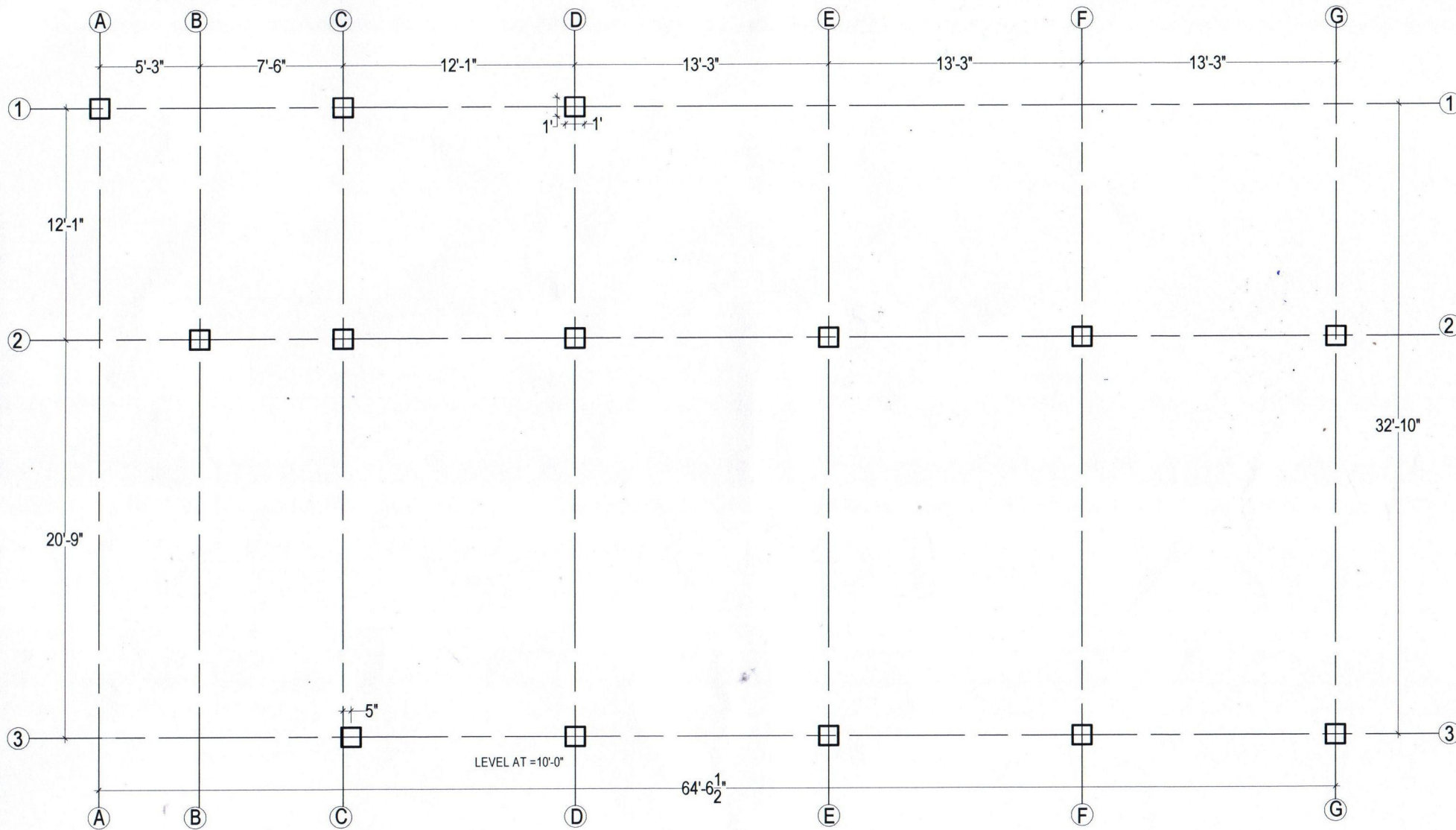
SHEET
1

NOTE:-
 *WRITTEN DIMENSIONS ARE TO BE
 *GRADE OF CONCRETE M20.
 *GRADE OF STEEL Fe415.
 *CLEAR COVER TO REINFORCEMENT
 IN FOOTING - 50mm,COLUMN - 40mm,
 *LAP LENGTH 50DIA.
 *GRADE OF STRUCTURAL STEEL
 YST-310.

DATE:-
20.11.2023

STRUCTURAL ENGINEER
N.K. PARIDA

SIGN ATURE



PROJECT :-

DAV PUBLIC SCHOOL

DWG TITLE:-

LAYOUT PLAN
OF
PEDESTAL CENTER-LINE

SHEET
1

NOTE:-

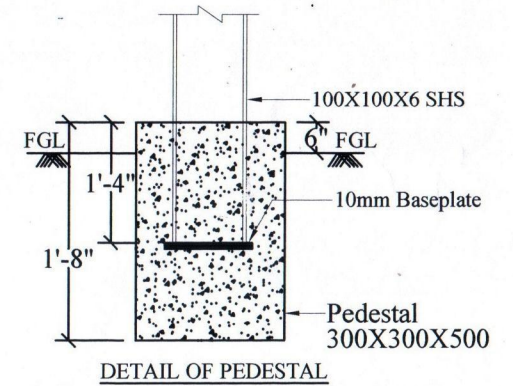
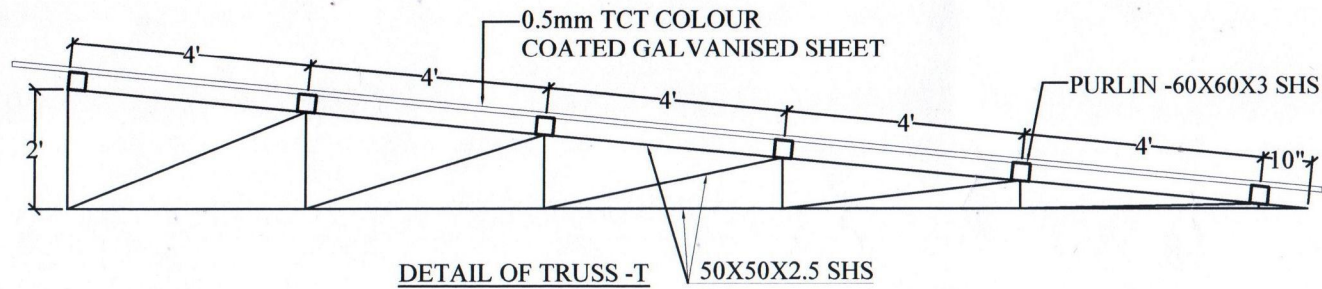
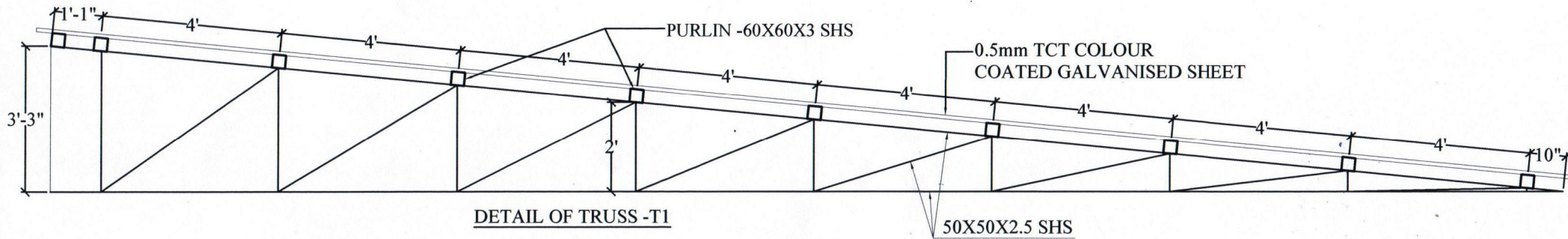
- *WRITTEN DIMENSIONS ARE TO BE
- *GRADE OF CONCRETE M20.
- *GRADE OF STEEL Fe415.
- *CLEAR COVER TO REINFORCEMENT
IN FOOTING - 50mm, COLUMN - 40mm,
- *LAP LENGTH 50DIA.
- *GRADE OF STRUCTURAL STEEL
YST-310.

DATE:-
20.11.2023

STRUCTURAL ENGINEER

N.K. PARIDA.

SIGNATURE



PROJECT :-
DAV PUBLIC SCHOOL

DWG TITLE:-
STRUCTURAL
DETAIL OF TRUSS

SHEET
1

NOTE:-

- *WRITTEN DIMENSIONS ARE TO BE
- *GRADE OF CONCRETE M20.
- *GRADE OF STEEL Fe415.
- *CLEAR COVER TO REINFORCEMENT
IN FOOTING - 50mm, COLUMN - 40mm,
- *LAP LENGTH 50DIA.
- *GRADE OF STRUCTURAL STEEL
YST-310.

DATE:-
20.11.2023

STRUCTURAL ENGINEER
N.K. PARIDA

SIGNATURE